

RoHS compliant



SPECIFICATION

MATERIAL AND FINISH:

- INSULATOR: PA66(6410G3)GF15%, RATED UL94V-0, BLACK
- CONTACTS: BRASS(C3604-EH)
PLATING: UNDERPLATE: 50u" MIN. NI
CONTACT AREA: 1u" GOLD FLASH
SOLDER TAILS AREA: 1u" GOLD FLASH
- SHELL: BRASS(C3604-EH), NI PLATED
- O-RING: SILICON RUBBER 60 DEGREE, UL94V-0
- CONTACTS TYPE: SOLDER TYPE

ELECTRICAL CHARACTERISTIC:

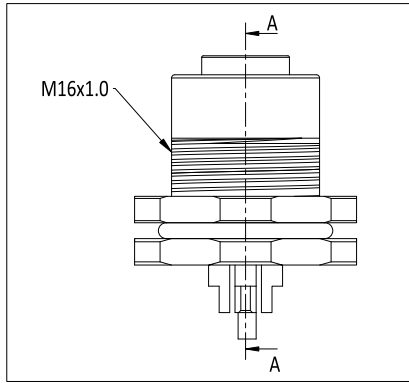
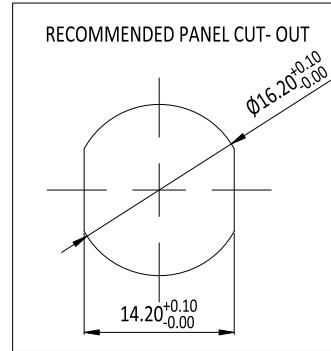
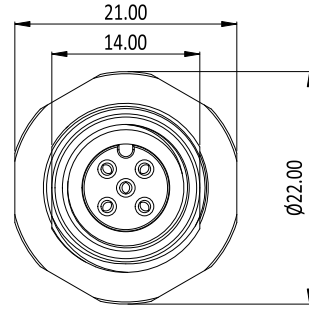
- CONTACT RESISTANCE: 10 mΩ MAX.
- INSULATOR RESISTANCE: 100 mΩ MIN. @ 500 V ±15V DC
- VOLTAGE RATING: 2~4Pin-250V / 5Pin-60V / 6~12Pin-60V DC/AC
- CURRENT RATING: 2~5Pin-4 A / 6~8Pin-2 A / 9~12Pin-1.5 A MAX.
- VOLTAGE PROOF: 2~4Pin-1.4kv / 5Pin-1.0kv / 6~8Pin-0.65kv / 9~12Pin-0.5kv/MIN.

GENERAL DATA:

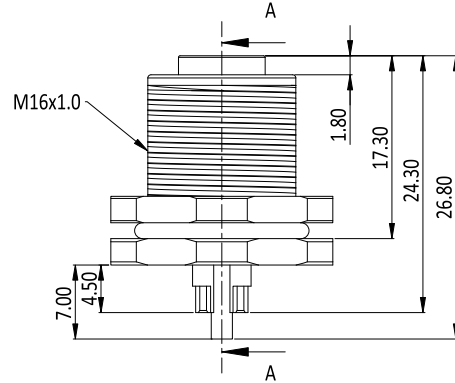
- STANDARD/REGULATION: M12 CONNECTOR IEC 61076-2-101
- CODING: A/D-STANDARD
- MATING CYCLES: 100 CYCLE TIMES
- PANEL THICKNESS: TYPE1:5mm MAX. / TYPE2:8mm MAX.

ENVIRONMENT:

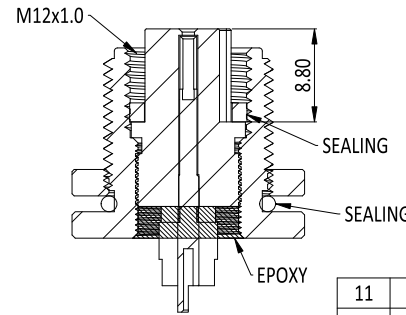
- OPERATING TEMPERATURE RANGE: -25°C TO +85°C



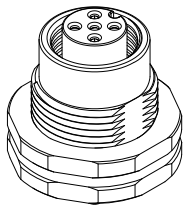
TYPE 1



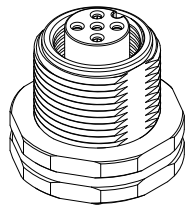
TYPE 2



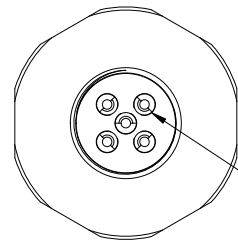
SECTION A-A



TYPE 1



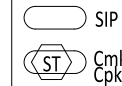
TYPE 2



端子鍍腳缺口
需放射狀朝外

11	54926020110	649AE12FSSD2NAA3	12	TYPE 1	A	TRAY
10	54926020100	649AE11FSSD2NAA3	11	TYPE 1	A	TRAY
9	54926020090	649AE10FSSD2NAA3	10	TYPE 1	A	TRAY
8	54926020080	649AE09FSSD2NAA3	9	TYPE 1	A	TRAY
7	54926020070	649AE08FSSD2NAA3	8	TYPE 1	A	TRAY
6	54926020060	649AE07FSSD2NAA3	7	TYPE 1	A	TRAY
5	54926020050	649AE06FSSD2NAA3	6	TYPE 1	A	TRAY
4	54926020040	649AE05FSSD2NAA3	5	TYPE 1	A	TRAY
3	54926020030	649AE04FSSD2NAA4	4	TYPE 1	A	TRAY
2	54926020020	649AE03FSSD2NAA3	3	TYPE 1	A	TRAY
1	54926020010	649AE02FSSD2NAA3	2	TYPE 1	A	TRAY
ITEM	NEW P/N	OLD P/N	PIN NO.	TYPE	CODE	PACKING

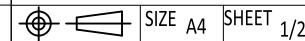
UNLESS OTHERWISE SPECIFIED TOLERANCE
ANG. ±2°
0. ±0.50
.0 ±0.40
.00 ±0.30



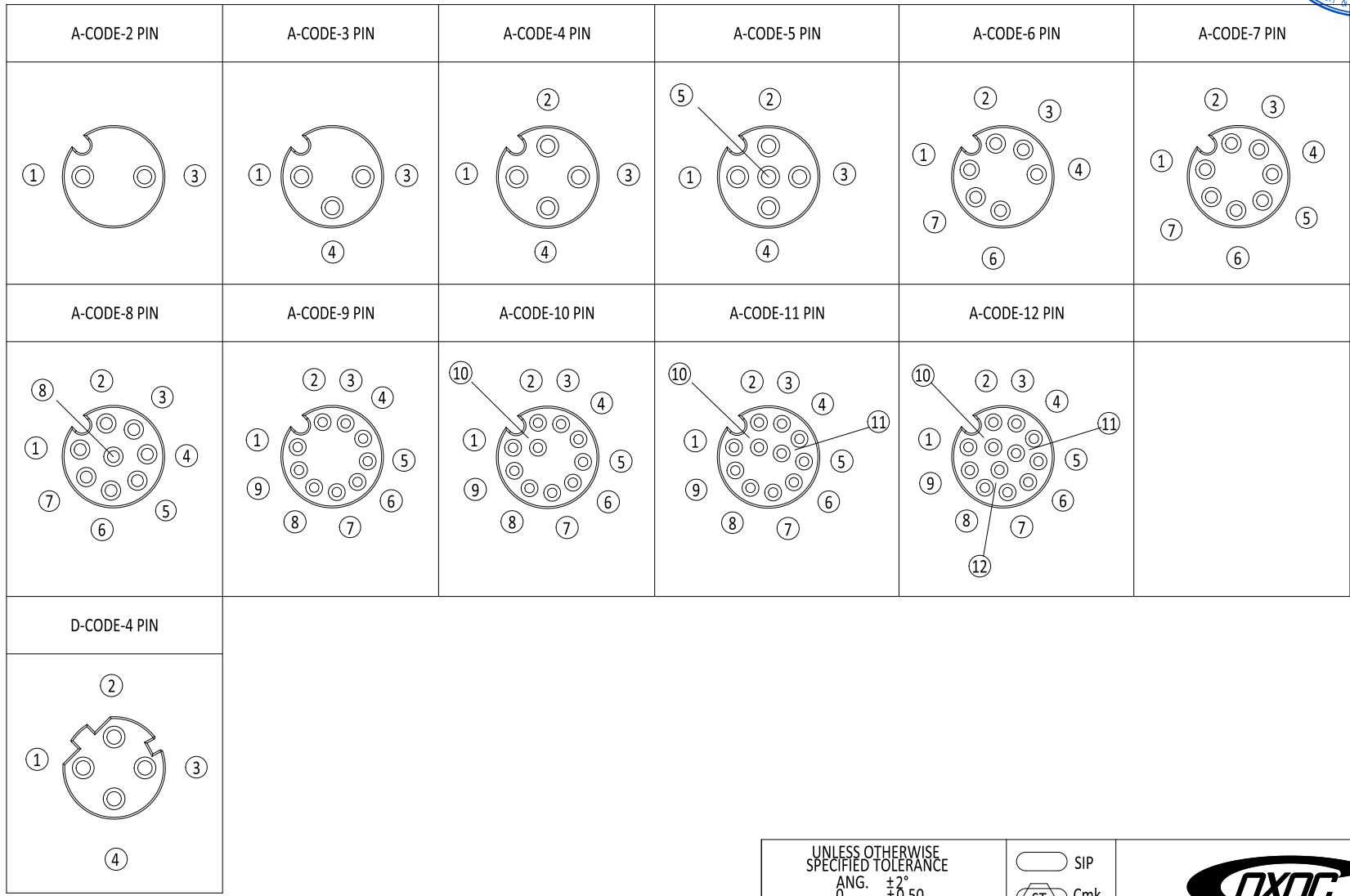
CHANT SINCERE CO.,LTD

SCALE: AS SHOWN	UNIT: mm	TITLE: M12 PANEL MOUNT FEMALE CONN.
DRAWN: XINGRU_LAI	31 Jan 2024	
CHECKED: PEARL_HUNG	05 Mar 2024	PART NO. 5492602XXXX
APPROVED: PEARL_HUNG	05 Mar 2024	CODE: GC
REV. B	CUSTOMER:	

ZONE	REVISION	DESCRIPTION	DATE
1	2	3	4
	B	ECN-2401043(JOLIN)NEW P/N	12JAN2024
	A	ECN-187104(CHICHI) X1 CHANGE TO A	31JUL2018



RoHS
compliant



UNLESS OTHERWISE SPECIFIED TOLERANCE
 ANG. $\pm 2^\circ$
 0. ± 0.50
 .0 ± 0.40
 .00 ± 0.30

SIP
 ST Crmk Cpk



	B	ECN-2401043(JOLIN)NEW P/N	12JAN2024	DRAWN: XINGRU_LAI	31 Jan 2024	TITLE:	M12 PANEL MOUNT FEMALE CONN.
	A	ECN-187104(CHICHI) X1 CHANGE TO A	31JUL2018	CHECKED: PEARL_HUNG	05 Mar 2024	PART NO.	5492602XXXX
ZONE	REVISION	DESCRIPTION	DATE	APPROVED: PEARL_HUNG	05 Mar 2024	REV.	B
1	2	3	4	5	6	7	8
						SIZE A4 SHEET 2/2	REV. B
							CODE: GC
							CUSTOMER:
1	2	3	4	5	6	7	8
							9
							10