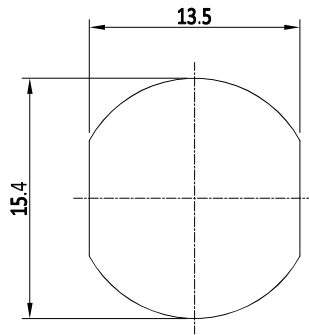
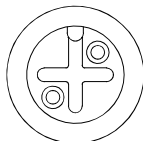


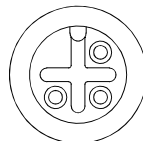
NUT



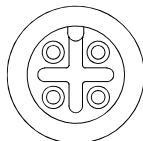
RECOMMEND PANEL CUT-OUT



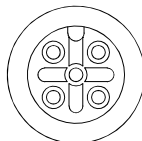
02P



03P



04P



05P

SPECIFICATION

MATERIAL AND FINISH:

1. HOUSING: PBT UL94V-0 ; COLOR: BLACK

2. CONTACT: BRASS

PLATING: 10 MICRO INCHES MIN. AU PLATED

UNDER PLATE: NI

3. NUT: BRASS, NI PLATED

4. SHELL: BRASS, NI PLATED

5. O-RING: EPDM

ELECTRICAL CHARACTERISTIC:

1. RATED CURRENT: 5A

2. RATED VOLTAGE: 125V

3. WATER PROOF: IPX7

ENVIRONMENT:

1. OPERATING TEMPERATURE RANGE: -40°C TO +85°C

4	54926030040	649AE05FBBD4NEA3	5	10 u" AU	X-CODE	TRAY
3	54926030030	649AE04FBBD4NEA3	4	10 u" AU	X-CODE	TRAY
2	54926030020	649AE03FBBD4NEA3	3	10 u" AU	X-CODE	TRAY
1	54926030010	649AE02FBBD4NEA3	2	10 u" AU	X-CODE	TRAY
ITEM	NEW P/N	OLD P/N	PIN	CONTACT	TYPE	PACKING

UNLESS OTHERWISE SPECIFIED TOLERANCE

ANG. ±2°
0 ±0.50
.0 ±0.30
.00 ±0.20

SIP

ST Cmk Cpk



CHANT SINCERE CO.,LTD

SCALE: AS SHOWN	UNIT: mm	TITLE: M12 PANEL MOUNT FEMALE CONN.
DRAWN: XINGRU_LAI	05 NOV 2023	
CHECKED:		PART NO. 5492603XXXX
APPROVED:		CODE: Z06 CUSTOMER:
SIZE A4	SHEET 1/1	REV.

ZONE	REVISION	DESCRIPTION	DATE
1	2	3	4
1	A	ECN-2411013(KITA)NEW P/N	05NOV2023
1	X1	ECR-17060084(JACKY HUANG)	28JUN017