

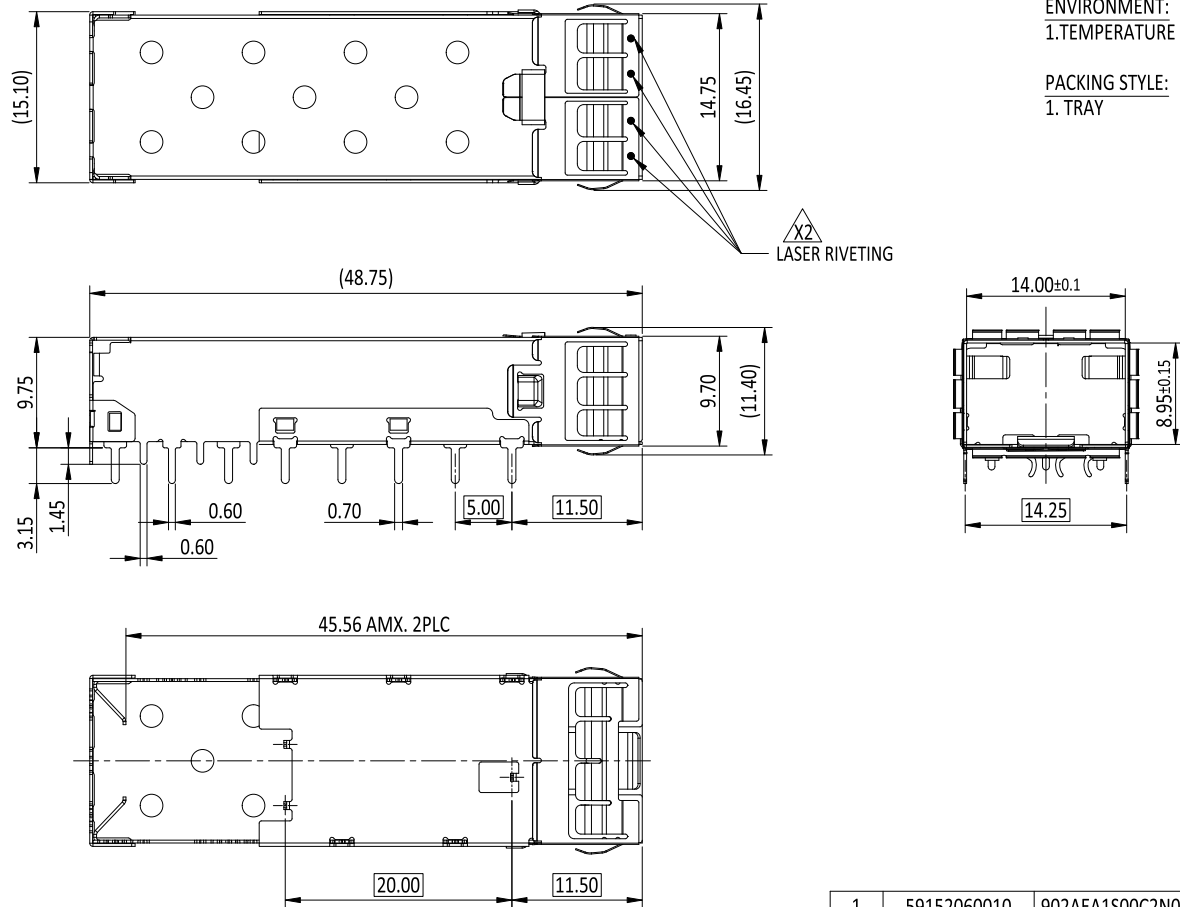
RoHS
compliant



SPECIFICATION
MATERIAL AND FINISH:
1. NI SILVER, THICKNESS 0.25mm

ENVIRONMENT:
1. TEMPERATURE RANGE: -55°C TO +85°C

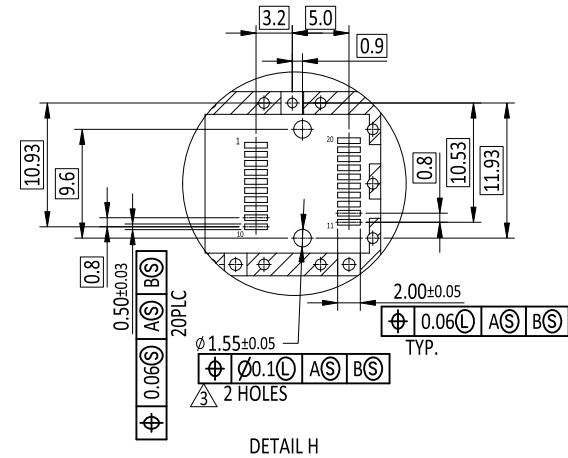
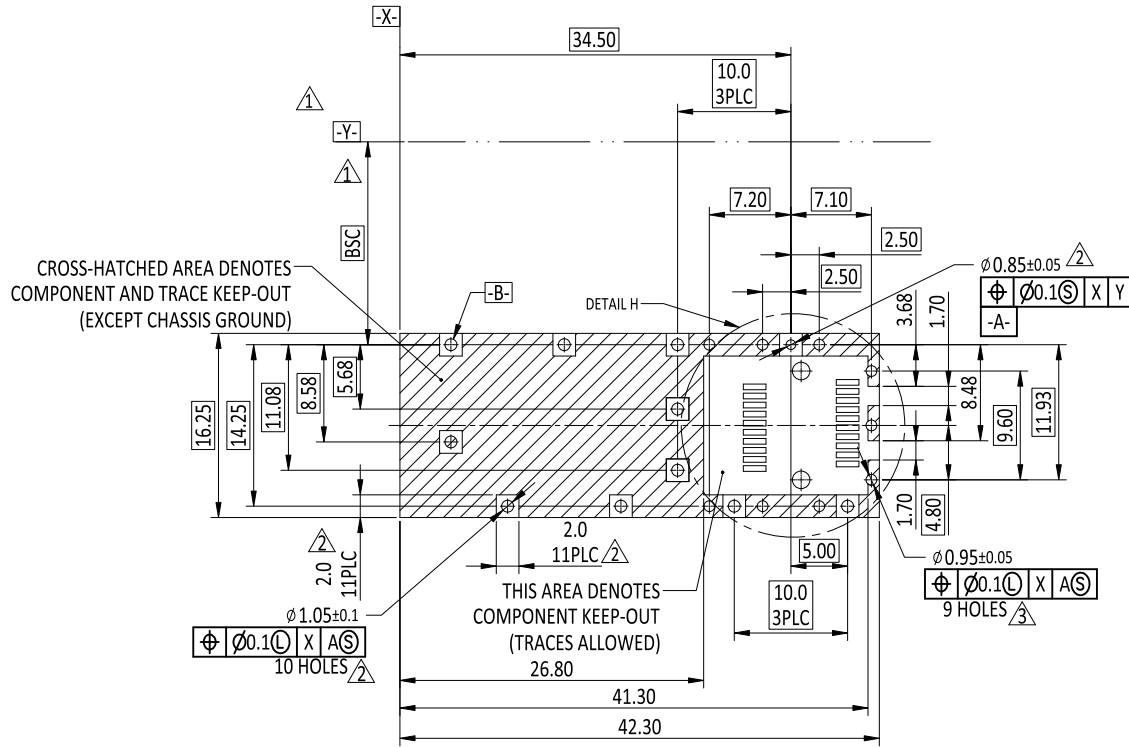
PACKING STYLE:
1. TRAY



1	59152060010	902AEA1S00C2N0A0	NI PLATING/ SPRING	
ITEM	NEW P/N	OLD P/N	SHELL PLATING/ TYPE	NOTE
UNLESS OTHERWISE SPECIFIED TOLERANCE			SIP Crk Cpk	 CHANT SINCERE CO.,LTD
X	±0.20	X		
XX	±0.15	.XX	±5°	
XXX	±0.10			
SCALE:	AS SHOWN		UNIT:	mm
DRAWN:	HOLLY_TU		11 Dec 2024	TITLE:
CHECKED:	PEARL_HUNG		16 Dec 2024	SFP+ 1X1 CAGE WITH GROUNDING PIN
APPROVED:	PEARL_HUNG		16 Dec 2024	PART NO.
				5915206XXXX
				CODE: X07
				CUSTOMER:

	A	ECN-2412019(KIRA)CHANGE TO A		10DEC2024
	X2	ECR-213083(LITING)彈片改為雷射點焊		29MAR2021
	X1	ECR-197033(MIN_HUNG)		07SEP2019
ZONE	REVISION	DESCRIPTION		DATE
1	2	3	4	5

NOTES:
 1. DATUM AND BASIC DIMENSIONS ESTABLISHED BY CUSTOMER
 2. PADS AND VIAS ARE CHASSIS GROUND, 11 PLACES
 3. THRU HOLES, PLATING OPTIONAL



RECOMMENDED PCB CONFIGURATION

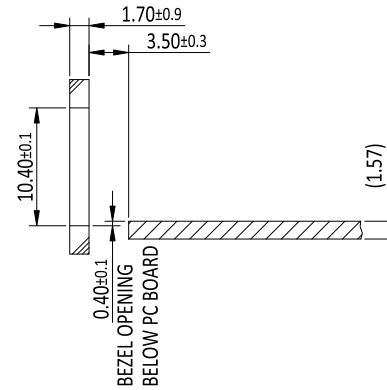
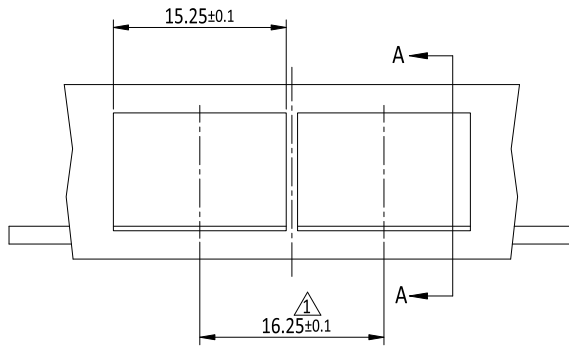
UNLESS OTHERWISE SPECIFIED TOLERANCE		SIP		 CHANT SINCERE CO., LTD
X ±0.20	.X ±1°	Cmk		
.XX ±0.15	.XX ±5°	Cpk		
.XXX ±0.10				
SCALE: AS SHOWN	UNIT: mm			
DRAWN: HOLLY_TU	11 Dec 2024	TITLE: SFP+ 1X1 CAGE WITH GROUNDING PIN		
CHECKED: PEARL_HUNG	16 Dec 2024	PART NO. 5915206XXXX		
APPROVED: PEARL_HUNG	16 Dec 2024	CODE: X07 CUSTOMER:		

A	A	ECN-2412019(KIRA)CHANGE TO A	10DEC2024
	X2	ECR-213083(LITING)彈片改為雷射點焊	29MAR2021
	X1	ECR-197033(MIN_HUNG)	07SEP2019
ZONE	REVISION	DESCRIPTION	DATE

RoHS
compliant



NOTES:
 1. MINIMUM PITCH ILLUSTRATED, ENGLISH
 DIMENSIONS ARE FOR REFERENCE ONLY



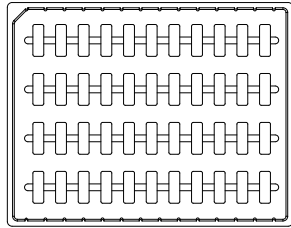
SECTION A-A

RECOMMENDED BEZEL DESIGN

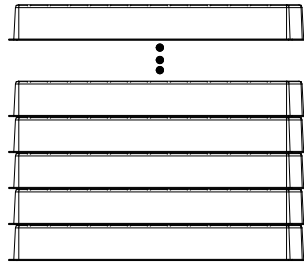
UNLESS OTHERWISE SPECIFIED TOLERANCE		SIP Crk Cpk	 CHANT SINCERE CO.,LTD
X ±0.20	.X ±1°		
.XX ±0.15	.XX ±5°		
.XXX ±0.10			
SCALE: AS SHOWN	UNIT: mm		
DRAWN: HOLLY_TU	11 Dec 2024	TITLE: SFP+ 1X1 CAGE WITH GROUNDING PIN	
CHECKED: PEARL_HUNG	16 Dec 2024	PART NO. 5915206XXXX	
APPROVED: PEARL_HUNG	16 Dec 2024	CODE: X07 CUSTOMER:	
SIZE A4 SHEET 3/4	REV. A		

ZONE	REVISION	DESCRIPTION	DATE
	A	ECN-2412019(KIRA)CHANGE TO A	10DEC2024
	X2	ECR-213083(LITING)彈片改為雷射點焊	29MAR2021
	X1	ECR-197033(MIN_HUNG)	07SEP2019

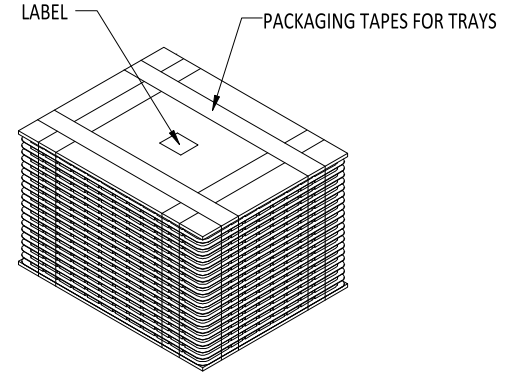
PACKAGE INFORMATION AND LABEL



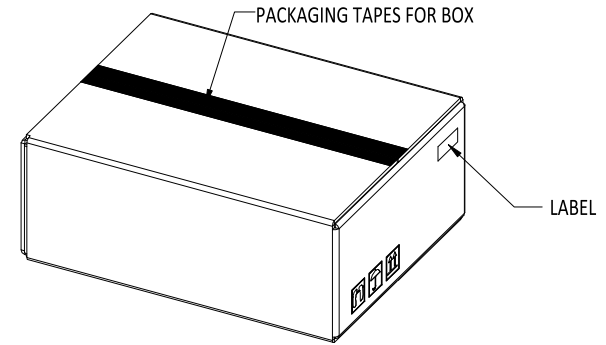
1. PRODUCTS IN TRAYS



2. TRAYS OVERLAY:
(THE NEXT TRAY NEED ROTATE 180 DEGREE AND PUT IT ON PREVIOUS TRAY.)
(相邻两个吸塑间水平方向成180度摆放)



3. LABEL & PACKAGING TAPES FOR TRAYS:



4. LABEL & PACKAGING TAPES FOR BOX

PRODUCT	352 PCS
TRAY	8 PCS
BOX(L340xW265xH200mm)	1 PCS
LABEL	2 PCS
PACKAGING TAPES	8 M (ABOUT)
ITEM	Q'TY

PACKAGING LISTS

	A	ECN-2412019(KIRA)CHANGE TO A		10DEC2024
	X2	ECR-213083(LITING)彈片改為雷射點焊		29MAR2021
	X1	ECR-197033(MIN_HUNG)		07SEP2019
ZONE	REVISION	DESCRIPTION		DATE

UNLESS OTHERWISE SPECIFIED TOLERANCE		SIP Crk Cpk		 CHANT SINCERE CO.,LTD					
X ±0.20	.X ±1°	UNIT:	mm						
XX ±0.15	.XX ±5°	SCALE:	AS SHOWN	DRAWN:	HOLLY_TU	11 Dec 2024	TITLE:	SFP+ 1X1 CAGE WITH GROUNDING PIN	
XXX ±0.10		CHECKED:	PEARL_HUNG	16 Dec 2024	APPROVED:	PEARL_HUNG	16 Dec 2024	PART NO.	5915206XXXX
		REV.	A	CODE:	X07	CUSTOMER:			